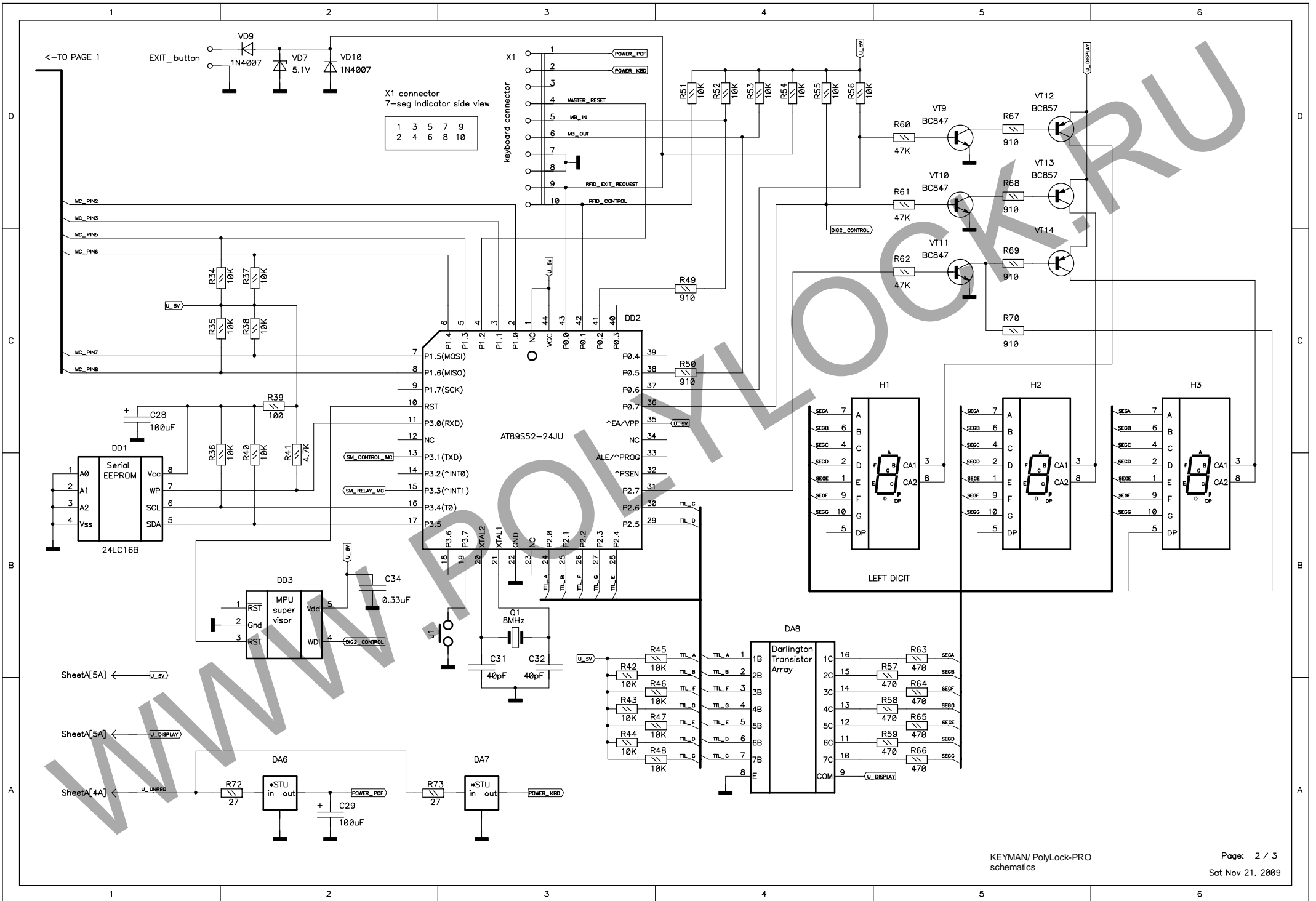
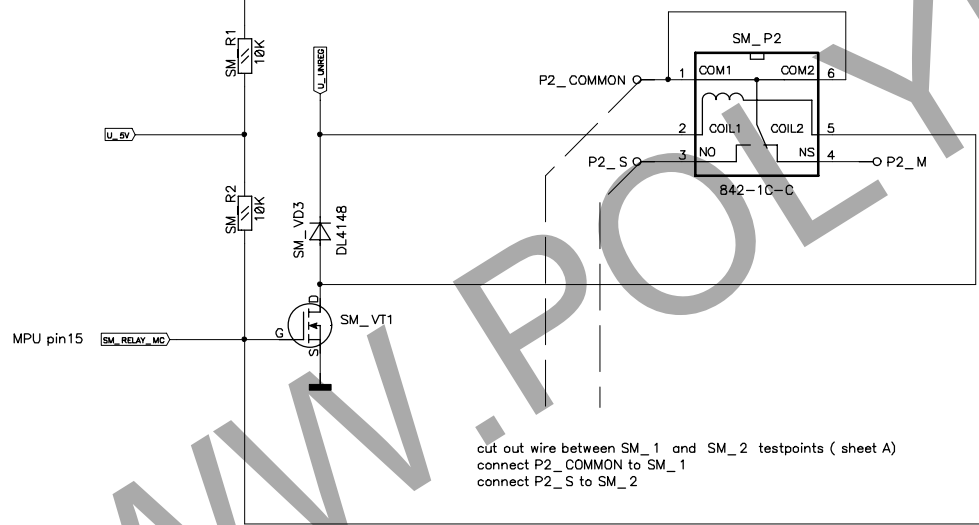
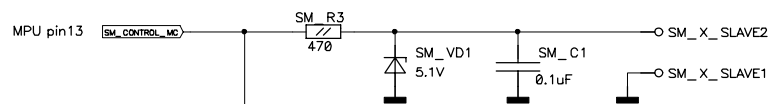


TO PAGE 2 ->



MASTER/SLAVE option



cut out wire between SM_1 and SM_2 testpoints (sheet A)
 connect P2_COMMON to SM_1
 connect P2_S to SM_2

